

# Model 5AG-ES



## High Capacity "Green" Machine

Energy Star® rated: less than 1 gallon per rack

### STANDARD FEATURES

- Double duty model - double your production
- Large 20.5" door opening - washes larger ware
- Stainless steel air gap - no leaking back flow preventers
- Dual screens protect pump for cleaner wash arms
- Washes 74 racks per hour with two powerful 1 HP pumps



### Optional Pan Rack

Wash sheet pans horizontally



### American Dish Service

900 Blake Street | Edwardsville, Kansas, 66111  
Phone: 913.422.3700 | Toll-Free: 800.922.2178 | Fax: 913.422.6630  
orders@americandish.com | [americandish.com](http://americandish.com)

For detailed specifications, go to  
[www.americandish.com](http://www.americandish.com)

# Model 5AG-ES

## High Capacity "Green" Machine

### Standard Features

- Cleans 74 racks per hour
- Water consumption of less than 1 gallon per rack
- Top mount controls with auto start
- Two high capacity 1 HP pumps
- Door safety switch & external prime switches
- Delime switch located in the control panel



Get the same great quality & results you expect from ADS while using less water, energy & chemicals

### Model 5AG-ES Specifications

U.S. REGISTERED PATENTS

#### Model 5AG-ES

Rated Capacity (Racks/Hr.)	74	56	46
Wash Time (Sec.)	50	60	75
Rinse Time (Sec.)	30	45	60
Dwell (Sec.)	15	15	15
Total Cycle Time (Sec.)	90	120	150

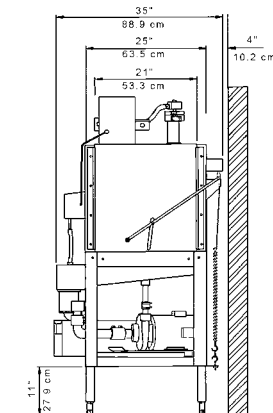
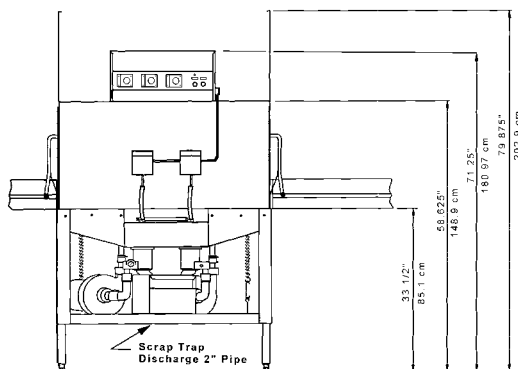
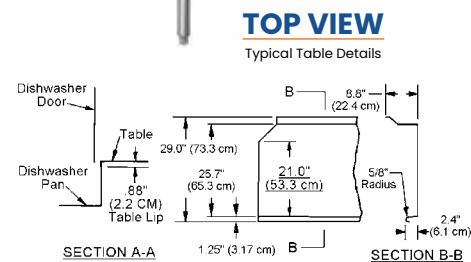
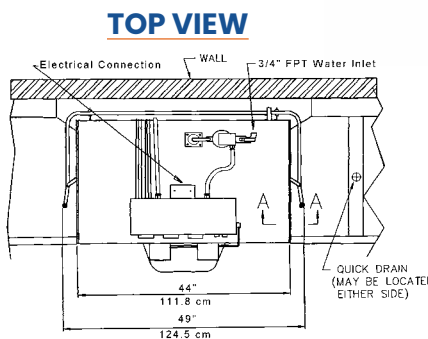
Water Tank Capacity (Miin) . . . . . 1.75 Gal. (6.74 Liter)  
 Water Temperature (Supply) . . . . . 120° F Min. (49° C Min)  
 Water Consumption (Per Cycle) . . . . . 1.78 Gal. (6.74 Liter)

Motor (2) . . . . . 1.0 HP (0.75 Kw)  
 Electrical Ratings . . . . . 115 Volts, 18 AMP (Single Phase)

Connect to two Supply Sources using 12 AWG copper wires. Circuit Protection: 20 AMP Circuit Breaker or Fuse with a 20 AMP Rating. **OR**

Connect to Supply Source using 10 AWG copper wires suitable for at least 167° F (75° C). Circuit Protection: 30 AMP Circuit Breaker or Fuse with a 30 AQMP Rating.

Rack Size	19.75" x 19.75" (50.2 cm x 50.2 cm)
Door Clearance	20.5" x 21" (52 cm x 53 cm)
Water Inlet	0.75" FPT
Drain (Scrap Trap)	2.0" Pipe
Height (Door Open)	79.875" (202.9 cm)
Height (Door Closed)	71.25" (180.9 cm)
Width (Overall)	49" (124.5 cm)
Depth (Overall)	34" (86.4 cm)
Shipping Weight	446 lb. (202.3 kg)
Shipping Dimensions	60" L x 36" W x 78" H (152.4 cm x 91.4 cm x 198.1 cm)



#### FRONT VIEW

#### SIDE VIEW

#### CAUTION:

Electrical and Plumbing connections must be made by a qualified Service Person who will comply with all available federal, state, and local Health, Electrical, Plumbing, and Safety Codes.

#### Note:

Manufacturer reserves the right to modify these specifications in compliance with regulatory agencies and manufacturing expediency.

Effective 2/2023

**Warning:** Cancer and Reproductive Harm – [www.P65Warnings.ca.gov](http://www.P65Warnings.ca.gov)



**American Dish Service**  
 Manufacturers of Ware Washing Equipment

an Ali Group Company



The Spirit of Excellence

### American Dish Service

900 Blake Street | Edwardsville, Kansas, 66111

913.422.3700 | Toll-Free: 800.922.2178 | Fax: 913.422.6630

orders@americandish.com | [americandish.com](http://americandish.com)