



## Juice - Counter Electric Dispenser

The CED 500 - Juice Dispenser is designed using the highest quality materials and state-of-the-art technology providing our customers with consistent drink quality.

### Juice - Counter Electric Dispenser 500

- > Stainless steel exterior, water bath, product lines, and drip tray assembly
- > Occupies a small area of counter space, only 10 3/8" wide  
Compare with conventional dispenser
- > Available with 4 post-mix dispensing valves
- > All valves can be serviced independently
- > Insulation is CFC-free structural foam
- > Removable refrigeration deck, all installation from front of unit
- > Leg kit included
- > CFC-free, R134A refrigerant
- > Optional lighted front marquee kit
- > 1/4 hp, 16 lb ice bank, flooded manifold
- > Juice graphic decals and white bonnet are standard
- > **Dispensing Solutions that *Pour More***



# LANCER®

# CED 500-Juice

## SPECIFICATIONS

### DIMENSIONS

Height: 27.5" [699 mm]  
Width: 10.375" [264 mm]  
Depth: 25.25" [641 mm]

### SPACE REQUIRED

Height: 33.5" [851 mm]  
Width: 12.38" [315 mm]  
Depth: 31.25" [794 mm]

### ELECTRICAL

115V/60Hz, 7 AMPs  
220V/50Hz, 3.3 AMPs

### WEIGHT

Empty: 89 lbs [40.4 kg]  
Operating: 125 lbs [55.4 kg]  
Shipping: 108 lbs [49 kg]

### FITTINGS

Water Inlets: 3/8" male barb  
Syrup Inlets: 3/8" male barb

### VALVES

Flomatic

### COMPRESSOR

1/4 hp

### MOTORS

Agitator: 15 w  
Condenser Fan: 9 w

### ICE BANK CONTROL

Lancer Electronic Ice Bank Control

### TRANSFORMER

115V Primary/24 VAC Secondary

### WATER

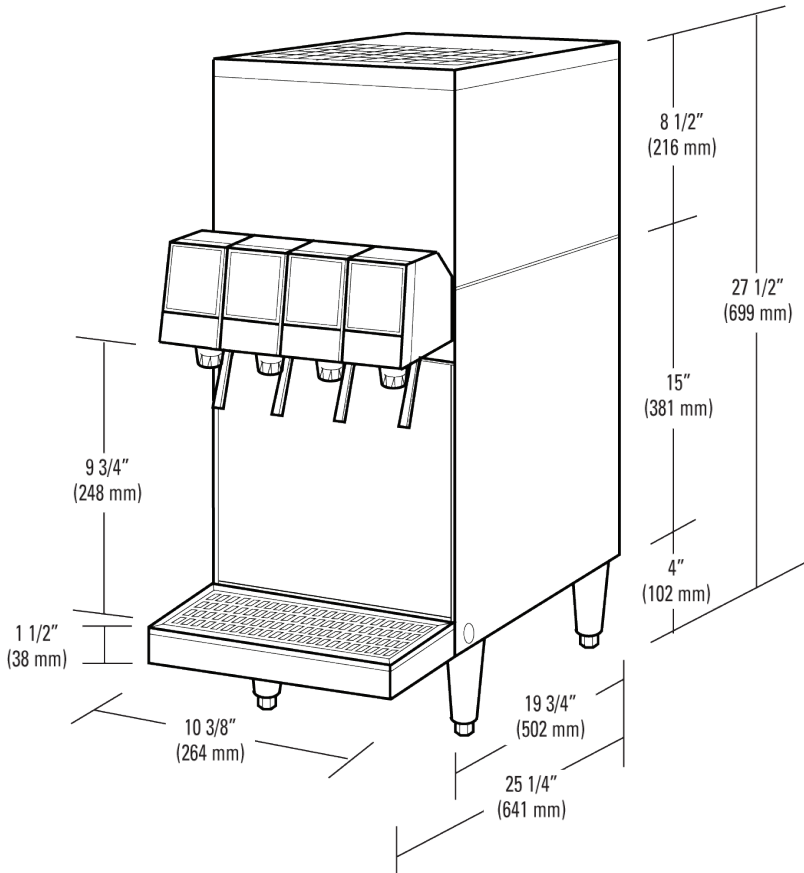
Capacity: 5 gal

### DRAW PERFORMANCE

Number of Drinks Below 40°F [4.5°C]

### 75°F [24°C] Ambient Temperature

2-12 oz [.35L]/min:	98
4-12 oz [.35L]/min:	40
Pull Down Time:	2:35
Recovery Time:	1:30



### Customer Service:

Should you require more information about our products, please do not hesitate to contact our customer service desk at [custserv@lancercorp.com](mailto:custserv@lancercorp.com).

### Warranty:

For warranty specifics by product, contact your Lancer Sales Representative. Equipment design and/or specifications are subject to change without notice.

Lancer Corp. 6655 Lancer Boulevard · San Antonio, TX 78219

210-310-7000 · 1-800-729-1500 · Fax: 210-310-7250

Pour More

LANCER

[lancercorp.com](http://lancercorp.com)



Model  
500