



Juice - Counter Electric Dispenser

The CED 1500 - Juice Dispenser is designed using the highest quality materials and state-of-the-art technology providing our customers with consistent drink quality.

Juice - Counter Electric Dispenser 1500

- > Stainless steel cabinet, water bath, product lines, and splash plate; removable refrigeration deck
- > Available with 5 or 6 post-mix dispensing valves
- > All valves can be serviced independently
- > Insulation is CFC-free, 0 GWP, structural foam
- > All installation from front of unit
- > CFC-free, R134A refrigerant
- > Optional lighted front marquee kit and leg kit
- > 1/3 hp compressor, 30 lb ice bank, high capacity flooded manifold
- > Flex manifold configuration for multiple non-carbonated drinks
- > **Dispensing Solutions that *Pour More***



LANCER

CED 1500-Juice

SPECIFICATIONS

DIMENSIONS

Height: 25.375" [645 mm]
Width: 19.187" [487 mm]
Depth: 24" [610 mm]

ELECTRICAL

115V/60Hz, 7.8 AMPs
230V/50Hz, 4.5 AMPs

WEIGHT

Empty: 130 lbs [59 kg]
Operating: 230 lbs [104 kg]
Shipping: 150 lbs [68 kg]

ICE

Capacity: 30 lbs [13.6 kg]

FITTINGS

Soda Inlets: 3/8" male barb
Syrup Inlets: 3/8" male barb

VALVES

LEV® and other valves available upon request

FLEX MANIFOLD CONFIGURATION

5 valve 2-2-1
6 valve 3-2-1

KEY LOCK SWITCH

COMPRESSOR

1/3 hp

MOTORS

Agitator: 25 w
Condenser Fan: 9 w

ICE BANK CONTROL

Lancer Electronic Ice Bank Control

TRANSFORMER

24 V Secondary

WATER

Capacity: 12 gal

DRAW PERFORMANCE

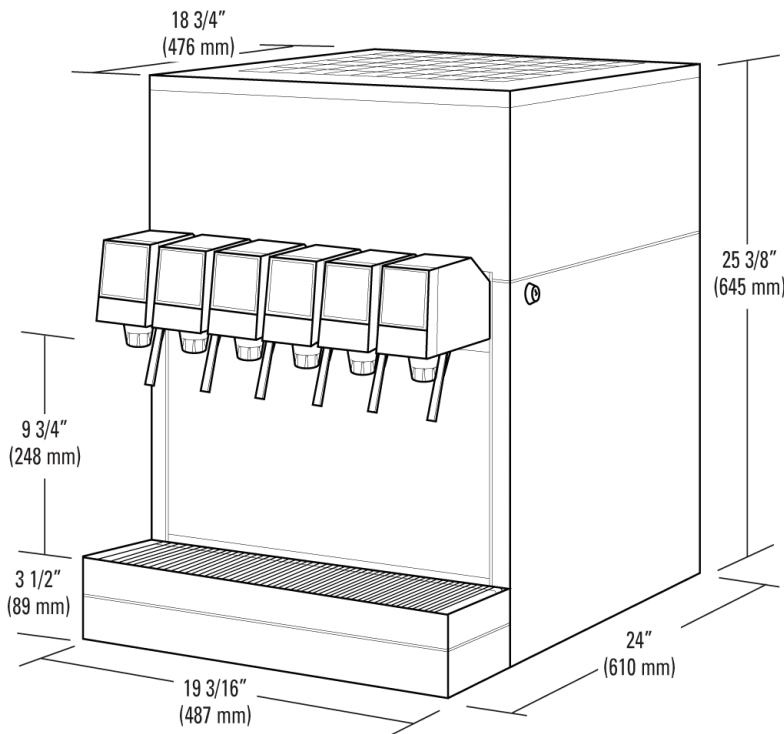
Number of Drinks Below 40°F

75°F (24°C) Ambient Temperature

395 drinks; 12oz / 2 drinks per minute

90°F (32°C) Ambient Temperature

200 drinks; 12oz / 2 drinks per minute



OPTIONS

Leg Kit

Customer Service:

Should you require more information about our products, please do not hesitate to contact our customer service desk at custserv@lancercorp.com.

Warranty:

For warranty specifics by product, contact your Lancer Sales Representative. Equipment design and/or specifications are subject to change without notice.

Lancer Corp. 6655 Lancer Boulevard · San Antonio, TX 78219

210-310-7000 · 1-800-729-1500 · Fax: 210-310-7250

Pour More

LANCER

lancercorp.com

